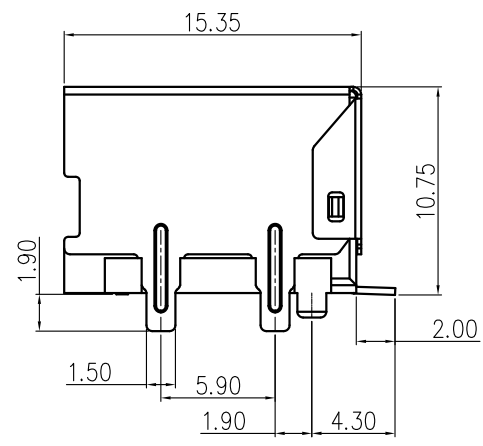
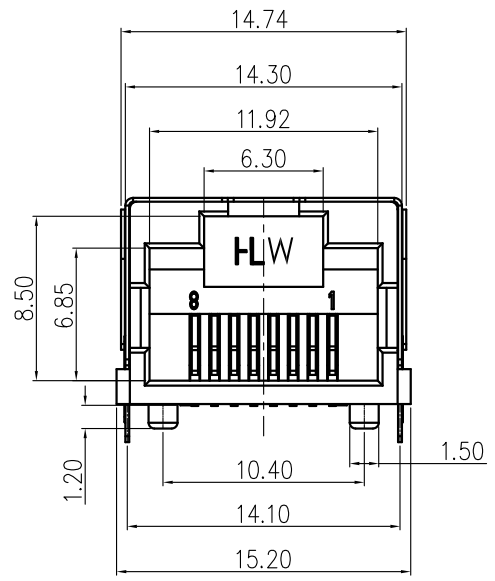
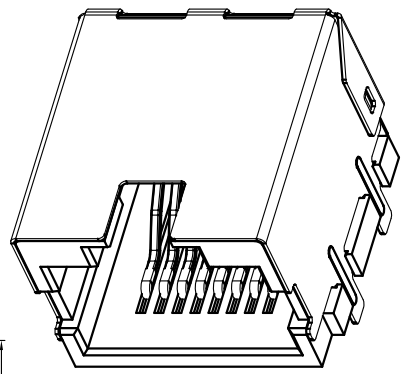
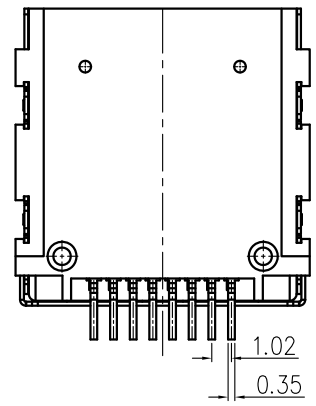


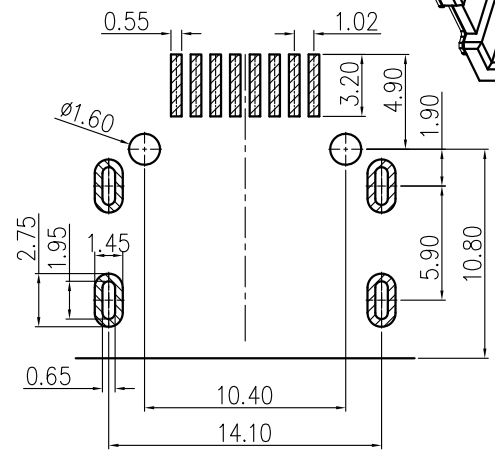
REV.	ECN.NO.	APPD.
A	/	LXQ



NOTES:  
 1.MATERIAL:  
 1.1 Housing:Thermoplastic plastics  
 1.2 Contact:Copper Alloy  
     Au plated on contact area  
     Tin plating on solder tail  
     Nickel under plating over all  
 1.3 Shell:Copper Alloy  
     Nickel plating over all  
 2.characteristics:  
 2.1 Rating Voltage : 125V AC RMS  
 2.2 Rating Current:500 mA  
 2.3 Contact Resistance:40 mΩ MAX.  
 2.4 Insulation Resistance:100 MΩ MIN.  
 2.5 Withstanding Voltage:AC 500V between adjacent contacts  
 2.6 Mating force: 30N/3.0KG Max  
 2.7 Life test:750Cycles MIN.  
 2.8 Temperature Range: -40℃~+85℃.  
 The product must be compliance ROHS



R540-11100-161081  
 1:半金1u"  
 6:LCP  
 1:RoHS UL94V-0  
 8:载带  
 0:冷封  
 1:黑色



PCB LAYOUT(TOLERANCE±0.05)

TOLERANCE UNLESS OTHERWISE SPECIFIED		<b>FLW</b> 深圳市华联威电子科技有限公司				
.XXX ±0.10 .XX ±0.20 .X ±0.30		.X' ±3' .XX' ±2'		HUA LIAN WEI TECHNOLOGY ELECTRONICS CO;LTD.		
APPROVED		PART NAME:	RJ45 8P8C SMT 1*1PORT 扁针无灯			
CHECKED		PART No:	R540-11100-161081	C		
DRAWN	leixianqiang	PROJECTION:	UNIT:	SCALE:	SHEET:	REV.
DATE	2014.10.11		mm	1:1	10F1	A