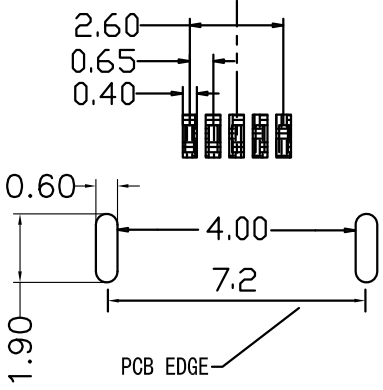
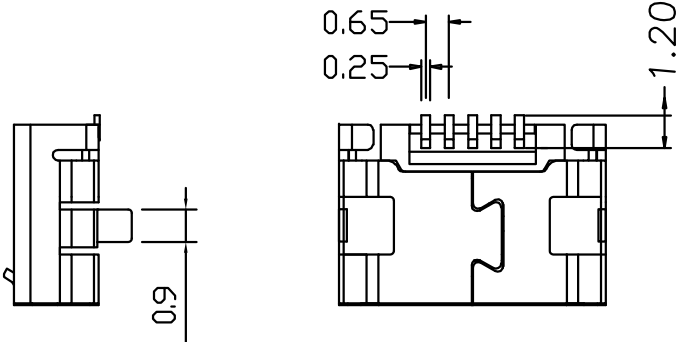
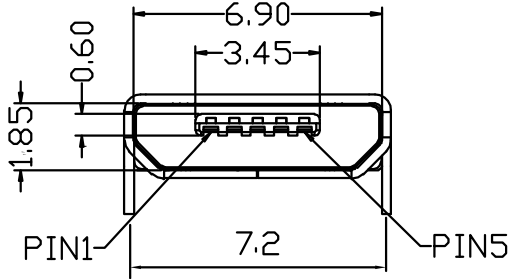
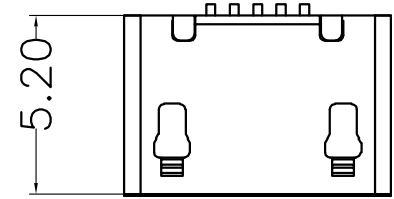
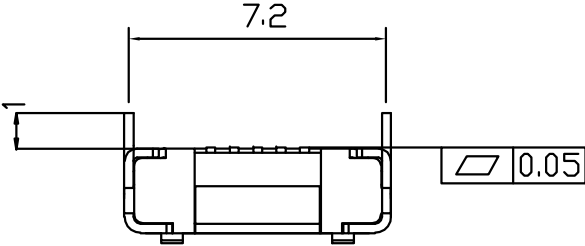
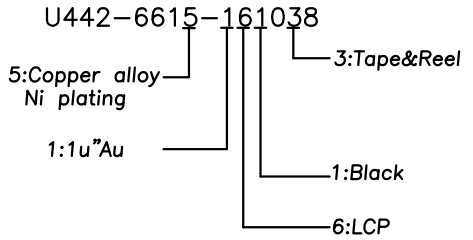


REV.	ECN.NO	APPD
A0	/	/



RECOMMENDED PCB LAYOUT
TOLERANCE:±0.05

- NOTES:
- MATERIAL:
 - Housing: thermoplastic plastics,
 - terminals:Copper Alloy
Gold plated overall
 - Shell:Steel&Copper Alloy
Nickel/Tin Plated overall
 - ELECTRICAL CHARACTERISTICS:
 - Rating Current :1.5 Ampere
 - Rating Voltage :30 V Max
 - Contact Resistance:50 Milli ohms
 - Insulation Resistance:100 Mega ohms Min.
 - MECHANICAL CHARACTERISTICS:
 - Connector Mating force: 35N MAX
 - Connector Unmating force:7N min
 - ENVIRONMENT CHARACTERISTICS:
 - Operating temperature:-0°C to +50°C
 - Storage temperature:-20°C to +60°C



TOLERANCE UNLESS OTHERWISE SPECIFIED		FLW 深圳市华联威电子科技有限公司 HUA LIAN WEI TECHNOLOGY ELECTRONICS CO;LTD.				
.XXX ±0.10	.XX ±0.20	.X ±0.30	.X' ±3'	.XX' ±2'		
APPROVED		PART NAME:	MICRO 5P/F B型插脚无柱针长无卷边7.2			
CHECKED		PART No:	U442-6615-161038			C
DRAWN	weihong	PROJECTION:	UNIT:	SCALE	SHEET	REV.
DATE	2021.6.19		mm	1:1	10F1	A0