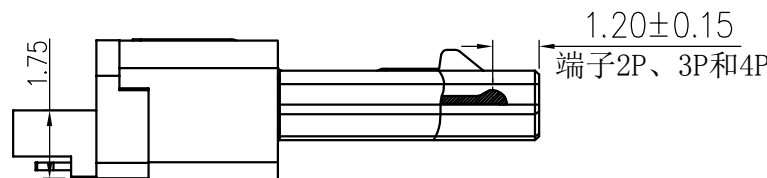
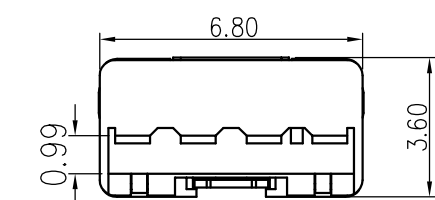
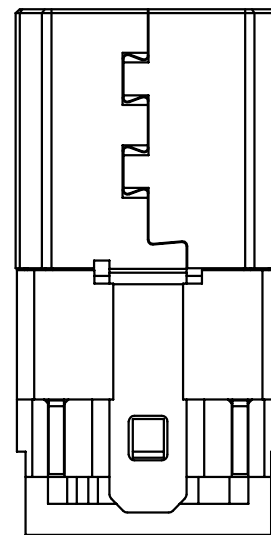
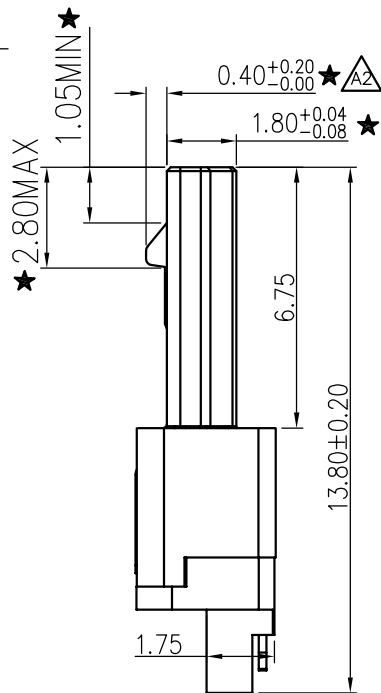
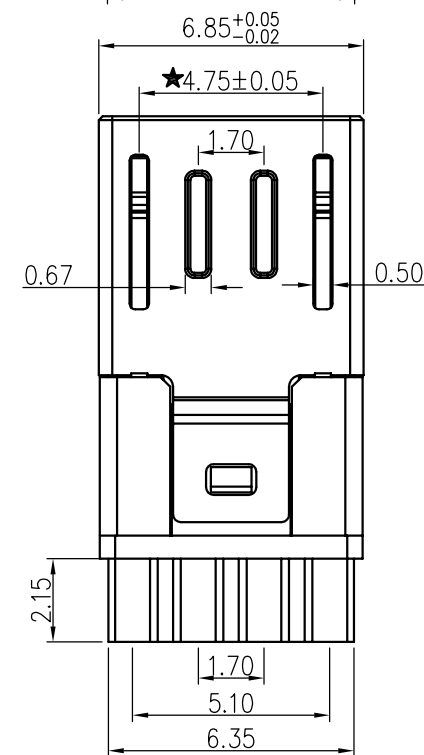
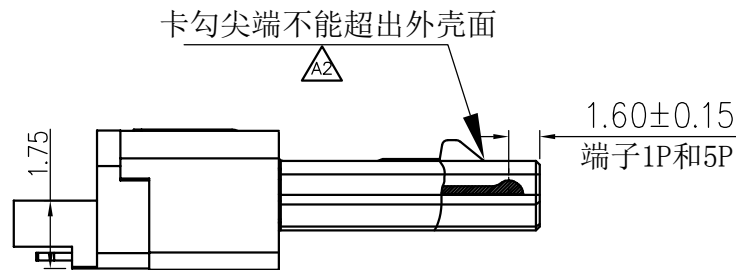
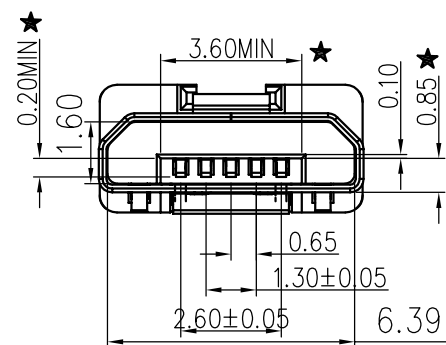


| REV. | ECN.NO. | APPD. |
|------|-------------|-------|
| / | / | |
| B | E2019123001 | YFS |
| A2 | E2021051301 | LJF |



NOTES:

1.MATERIAL:

- 1.1 Housing: thermoplastic plastics,
- 1.2 terminals:Copper Alloy
30u" Au plated in contact area:
150u" min Tin plated in terminations
50u" min Nickel Plated overall
- 1.3 Shell: stainless steel
50u" min Nickel Plated overall

2.ELECTRICAL CHARACTERISTICS:

- 2.1 Rating Current :2.1 Ampere
- 2.2 Rating Voltage :30 V Max
- 2.3 Contact Resistance:50 Milli ohms
- 2.4 Insulation Resistance:100 Mega ohms Min.

3.MECHANICAL CHARACTERISTICS:

- 3.1 Connector Mating force: 35N MAX
- 3.2 Connector Unmating force:7N min

4.ENVIRONMENT CHARACTERISTICS:

- 4.1 Operating temperature:-0°C to +50°C
- 4.2 Storage temperature:-20°C to +60°C

U435-0240-161071

- 1:半金1u"
- 6:LCP
- 1:RoHS UL94V-0
- 7:PE袋装
- 1:黑色

| TOLERANCE UNLESS OTHERWISE SPECIFIED | | FLW 深圳市华联威电子科技有限公司 HUA LIAN WEI TECHNOLOGY ELECTRONICS CO;LTD. | | | |
|--------------------------------------|---------|---|--|--------------------|-------|
| .XXX ±0.15 | Ang. 2' | PART NAME: | | MICRO 5P/M 前五后四 | |
| .XX ±0.20 | | PART No: | | U435-0240-161071 C | |
| .X ±0.30 | | PROJECTION: | | UNIT: | SCALE |
| APPROVED | | DATE | | mm | 1:1 |
| CHECKED | | Lijinfeng | | SHEET | 10F1 |
| DRAWN | | 2021.05.13 | | REV. | A2 |