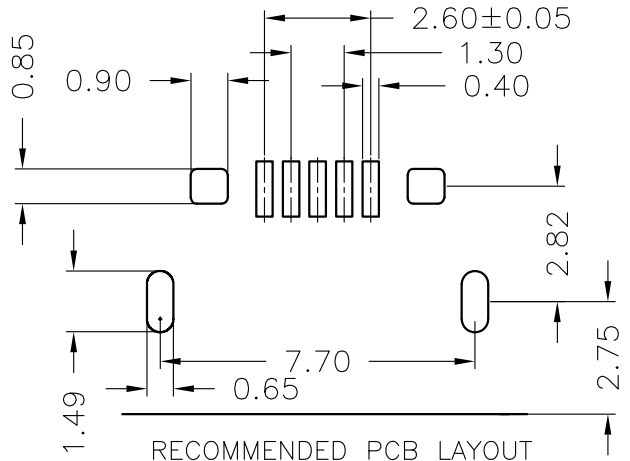
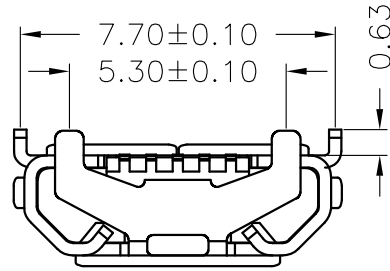
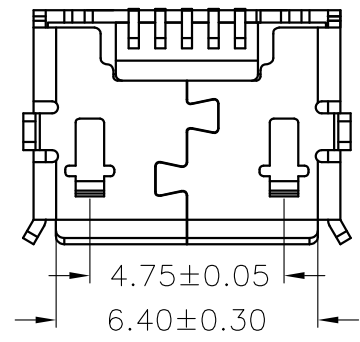
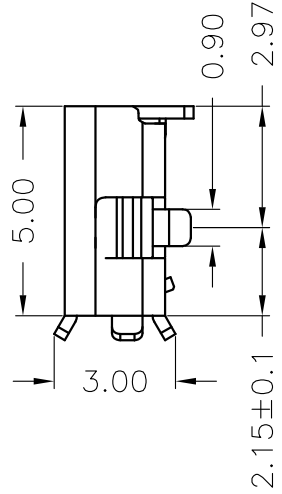
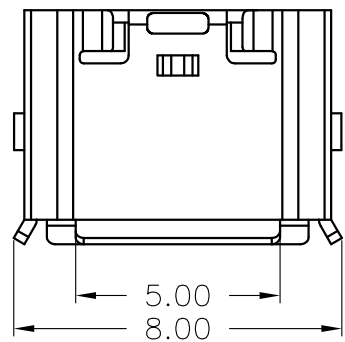


REV.	ECN.NO.	APPD.
A	EXXXXXXXXXX	chenyiting



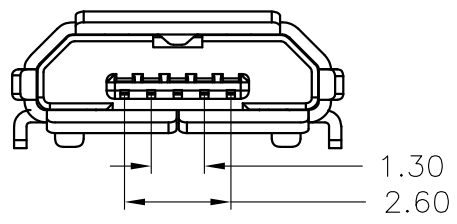
RECOMMENDED PCB LAYOUT  
DIMENSION TOLERANCE: ±0.05

- NOTES:
- MATERIAL:
    - Housing: thermoplastic plastics,
    - terminals:Copper Alloy  
Gold plated overall
    - Shell:Steel&Copper Alloy  
Nickel/Tin Plated overall
  - ELECTRICAL CHARACTERISTICS:
    - Rating Current :1.5 Ampere
    - Rating Voltage :30 V Max
    - Contact Resistance:50 Milli ohms
    - Insulation Resistance:100 Mega ohms Min.
  - MECHANICAL CHARACTERISTICS:
    - Connector Mating force: 35N MAX
    - Connector Unmating force:7N min
  - ENVIRONMENT CHARACTERISTICS:
    - Operating temperature:-0°C to +50°C
    - Storage temperature:-20°C to +60°C



U442-6216-161038

6:铜壳镀雾锡  
3:载带  
1:黑色  
6:LCP  
1:1u"Au



TOLERANCE UNLESS OTHERWISE SPECIFIED		<b>HLW</b> 深圳市华联威电子科技有限公司 HUA LIAN WEI TECHNOLOGY ELECTRONICS CO.;LTD.							
.XXX ±0.10	.X' ±3'	PART NAME:					MICRO 5P/F 牛角反向		
.XX ±0.20	.XX' ±2'	CHECKED				PART No:	U442-6216-161038		
.X ±0.30		DRAWN		chenyiting	PROJECTION:	UNIT:	SCALE:	SHEET:	REV.
DATE	2022.10.09	mm		1:1	10F1	A			