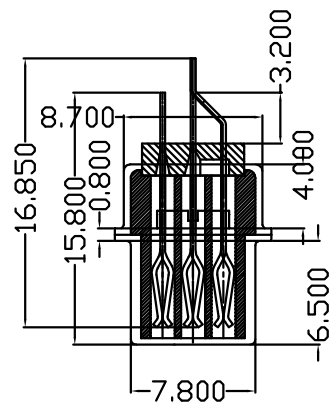
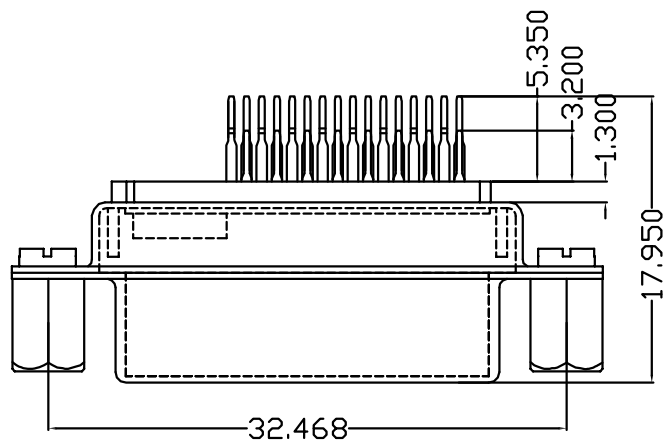
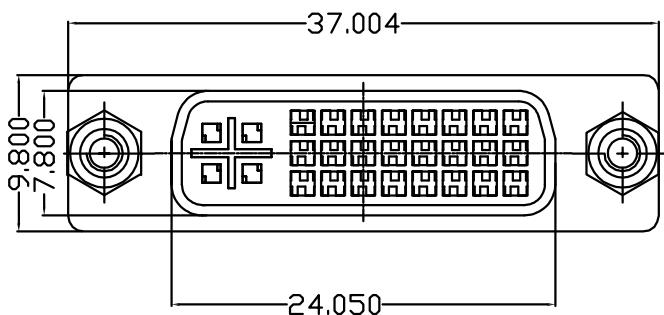


REV.	ECN.NO.	APPD.
A	EXXXXXXXXXX	yangguifeng



1.SPECIFICATION

- 2.1 Current Rate:5 Amps
- 2.2 Insulator Resistance:100M Min.
- 2.3 Dielectric Strength:500V AC PER MIN
- 2.4 Operation Temperature:-55C~+105C
- 2.5 Contact Resistance:30m Max



DS434-0204-G217

4:铁壳镀金
 1:黑色
 G:半金G/Fu"
 2:PBT

TOLERANCE UNLESS OTHERWISE SPECIFIED		FLW 深圳市华联威电子科技有限公司 HUA LIAN WEI TECHNOLOGY ELECTRONICS CO;LTD.			
.XXX ±0.10	.X' ±3'	APPROVED	PART NAME:		DVI24+5母座5.8螺母夹板式
.XX ±0.20	.XX' ±2'	CHECKED	PART No:		DS434-0204-G217
.X ±0.30		DRAWN	yangguifeng	PROJECTION:	UNIT: SCALE SHEET REV.
		DATE	2021.12.01		mm 1:1 1 OF 1 A