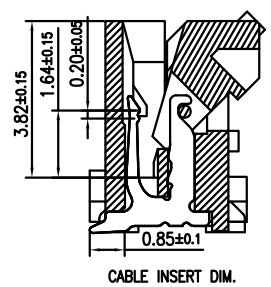
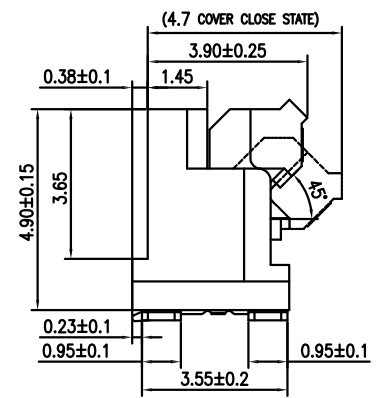
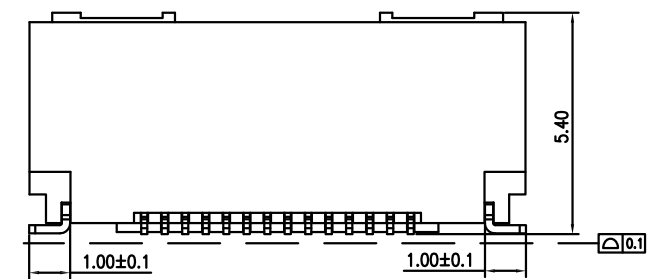
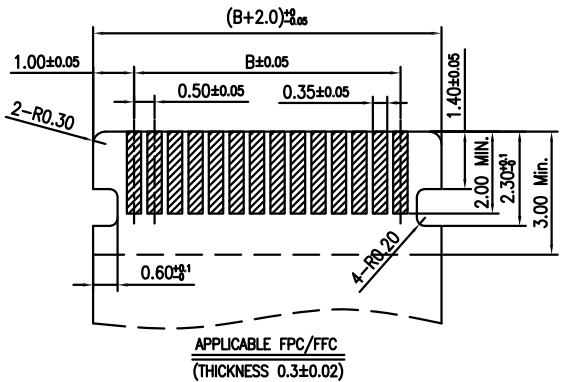
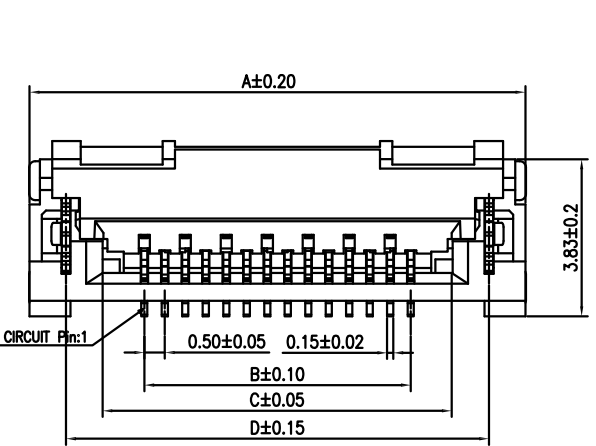


REV.	ECN.NO.	APPD.
A	XXXXXXXXXX	yangguifeng

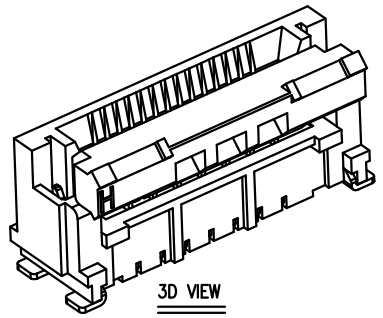
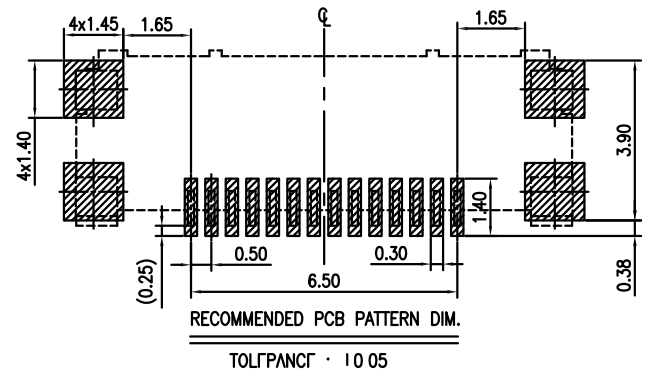
- 技术指标 (Technical Index):
1. 工作温度 (Temperature range): -25°C - 85°C .
 2. 额定电压 (Rated voltage): 250V DC/AC (rms)
 3. 额定电流 (Rated current): 5A AC, DC
 4. 接触阻抗 (CONTACT Resistance): $\leq 25\text{M}\Omega$
 5. 耐压值 (Withstanding voltage): 1500V AC/minute
 6. 绝缘阻抗 (Insulation resistance) $\geq 1000\text{M}\Omega$

216104-1092-G63018

G: 半金G/Fu
1: 吸塑盒
6: LCP
3: 米黄色



NO. of contacts	Dimensions				NO. of contacts	Dimensions			
	A	B	C	D		A	B	C	D
4	7.10	1.50	3.54	5.32	33	21.60	16.00	18.04	19.82
5	7.60	2.00	4.04	5.82	34	22.10	16.50	18.54	20.32
6	8.10	2.50	4.54	6.32	35	22.60	17.00	19.04	20.82
7	8.60	3.00	5.04	6.82	36	23.10	17.50	19.54	21.32
8	9.10	3.50	5.54	7.32	37	23.60	18.00	20.04	21.82
9	9.60	4.00	6.04	7.82	38	24.10	18.50	20.54	22.32
10	10.10	4.50	6.54	8.32	39	24.60	19.00	21.04	22.82
11	10.60	5.00	7.04	8.82	40	25.10	19.50	21.54	23.32
12	11.10	5.50	7.54	9.32	41	25.60	20.00	22.04	23.82
13	11.60	6.00	8.04	9.82	42	26.10	20.50	22.54	24.32
14	12.10	6.50	8.54	10.32	43	26.60	21.00	23.04	24.82
15	12.60	7.00	9.04	10.82	44	27.10	21.50	23.54	25.32
16	13.10	7.50	9.54	11.32	45	27.60	22.00	24.04	25.82
17	13.60	8.00	10.04	11.82	46	28.10	22.50	24.54	26.32
18	14.10	8.50	10.54	12.32	47	28.60	23.00	25.04	26.82
19	14.60	9.00	11.04	12.82	48	29.10	23.50	25.54	27.32
20	15.10	9.50	11.54	13.32	49	29.60	24.00	26.04	27.82
21	15.60	10.00	12.04	13.82	50	30.10	24.50	26.54	28.32
22	16.10	10.50	12.54	14.32	51	30.60	25.00	27.04	28.82
23	16.60	11.00	13.04	14.82	52	31.10	25.50	27.54	29.32
24	17.10	11.50	13.54	15.32	53	31.60	26.00	28.04	29.82
25	17.60	12.00	14.04	15.82	54	32.10	26.50	28.54	30.32
26	18.10	12.50	14.54	16.32	55	32.60	27.00	29.04	30.82
27	18.60	13.00	15.04	16.82	56	33.10	27.50	29.54	31.32
28	19.10	13.50	15.54	17.32	57	33.60	28.00	30.04	31.82
29	19.60	14.00	16.04	17.82	58	34.10	28.50	30.54	32.32
30	20.10	14.50	16.54	18.32	59	34.60	29.00	31.04	32.82
31	20.60	15.00	17.04	18.82	60	35.10	29.50	31.54	33.32
32	21.10	15.50	17.54	19.32	61	35.60	30.00	32.04	33.82



TOLERANCE UNLESS OTHERWISE SPECIFIED		深圳市华联威电子科技有限公司 HUA LIAN WEI TECHNOLOGY ELECTRONICS CO;LTD.			
.XXX ±0.10	.XX ±0.20	.X ±0.30	.X' ±3'	.XX' ±2'	
APPROVED		PART NAME:	FPC高度4.9间距0.5 14P		
CHECKED		PART No:	216104-1092-G63018	C	
DRAWN	yangguifeng	PROJECTION:	UNIT:	SCALE:	SHEET
DATE	2021.12.01		mm	1:1	1 OF 1
					REV. A