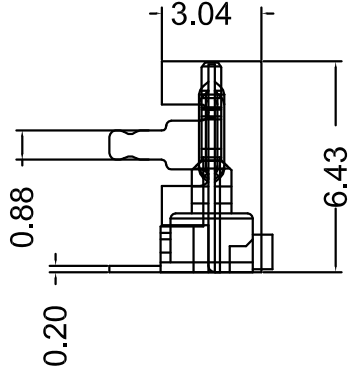
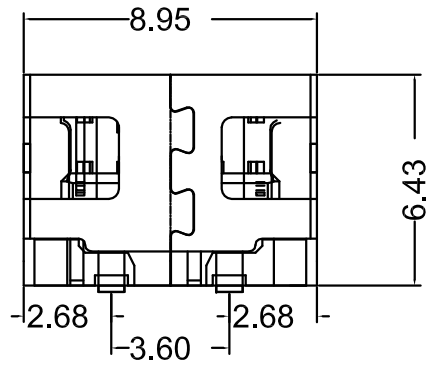


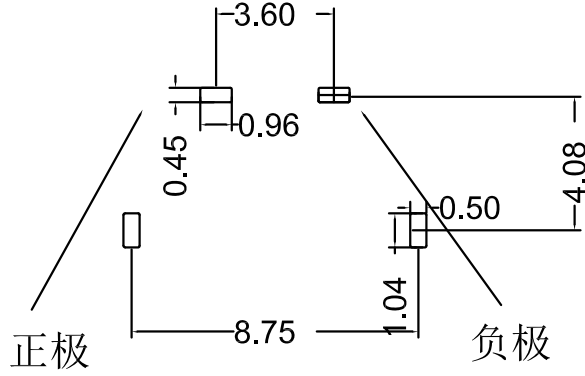
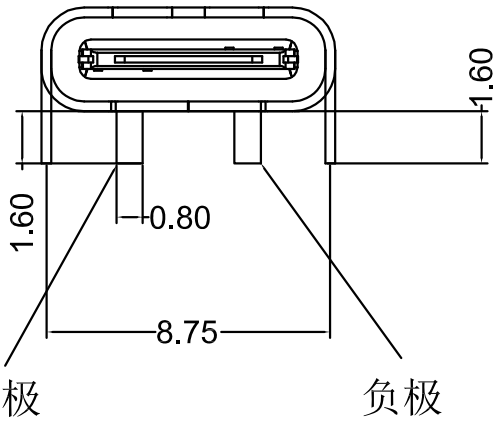
REV.	ECN.NO.	APPD.
A	EXXXXXXXXXXX	CYT

- NOTES:
- MATERIAL:
    - Housing:thermoplastic plastics
    - terminals:Copper Alloy  
Gold plated in contact area:  
Tin plated in termination  
Nickel Plated overall
    - Shell:Steel&Copper Alloy  
Nickel/Au Plated overall
  - characteristics:
    - Rating Voltage : 30V AC.
    - Rating Current:  
5A for Vbus PIN;1.25A for Vconn PIN
    - Contact Resistance:40 mΩ MAX.
    - Insulation Resistance:100 MΩ MIN.
    - Withstanding Voltage:AC 100V
    - Mating force: 5~20N MAX
    - Extraction force:8~20N Min
    - Life test:10000Cycles MIN.
    - Temperature Range: -30℃~+80℃.
- The product must be compliance ROHS



U573-305B-G61018

- B: 不锈钢壳镀镍
- G: 半金G/Fu
- 1: 吸塑盒
- 1: 黑色
- 6: LCP



TOLERANCE UNLESS OTHERWISE SPECIFIED		HLW 深圳市华联威电子科技有限公司 HUA LIAN WEI TECHNOLOGY ELECTRONICS CO;LTD.					
.XXX ±0.10	.X' ±3'	PART NAME:				TYPE C 2P 两脚插	
.XX ±0.20	.XX' ±2'	CHECKED		PART No:		U573-305B-G61018	
.X ±0.30		DRAWN chenyiting		PROJECTION:		UNIT:	SCALE
		DATE 2022.10.09		mm		1:1	SHEET
				mm		1:1	REV. A