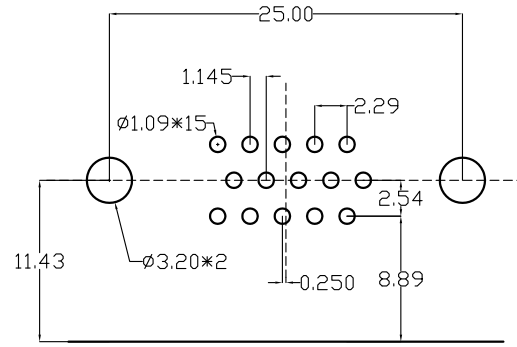
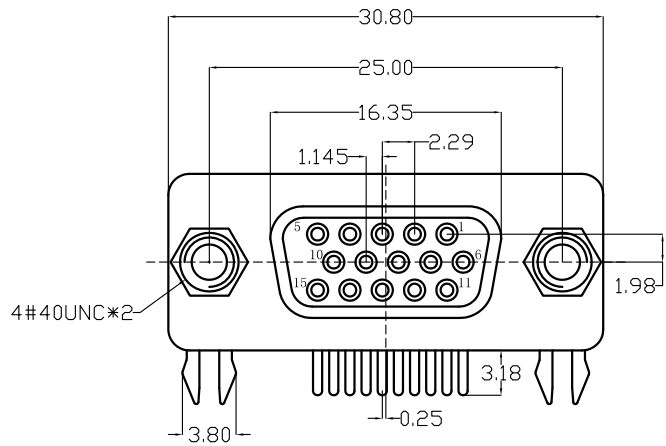


REV.	ECN.NO.	APPD.
A	/	/

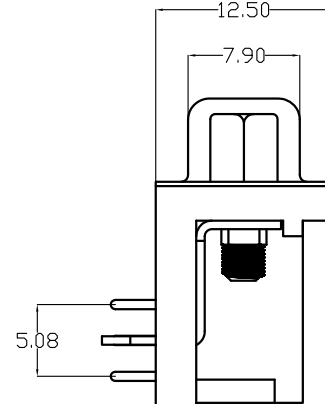
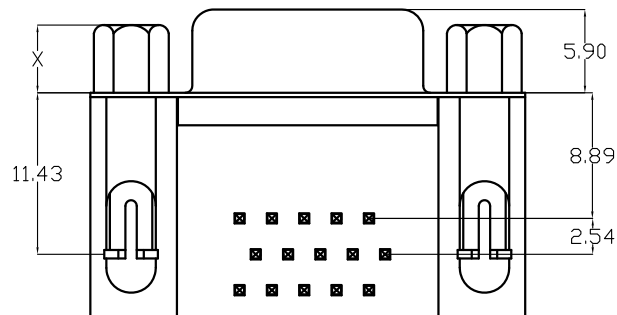


1.SPECIFICATION

- 2.1 Current Rate:5 Amps
- 2.2 Insulator Resistance:1000MΩ Min.
- 2.3 Dielectric Strength:500V AC PER MIN
- 2.4 Operation Temperature:-55℃~+105℃
- 2.5 Contact Resistance:30mΩ Max

DS412-1511-XXX7

G. 半金G/FU”
A. 黑色
2. PBT



螺丝规格

零件编号	X尺寸	L尺寸	内牙
A/C/E	4.8	7.0	4#40
B/D/F	5.8	7.0	4#40
G	4.8	10.2	4#40
H/I	4.8	8.2	4#40

TOLERANCE UNLESS OTHERWISE SPECIFIED	
.XXX ±0.10	.X' ±3'
.XX ±0.20	.XX' ±2'
.X ±0.30	

FLW 深圳市华联威电子科技有限公司

HUA LIAN WEI TECHNOLOGY ELECTRONICS CO;LTD.

APPROVED		PART NAME:	HDR15 母插锁			
CHECKED		PART No:	DS412-1511-G2A7		C	
DRAWN		PROJECTION:	UNIT:	SCALE	SHEET	REV.
DATE			mm	1:1	10F1	A