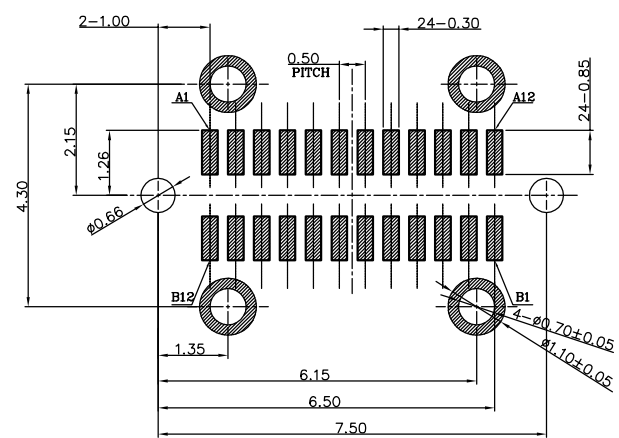
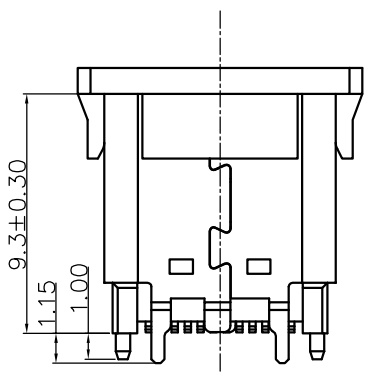
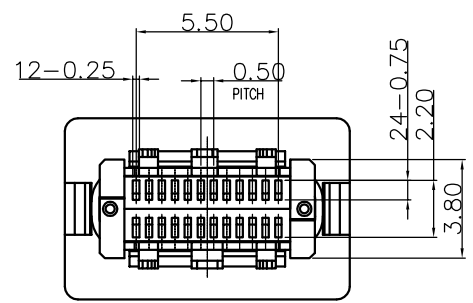
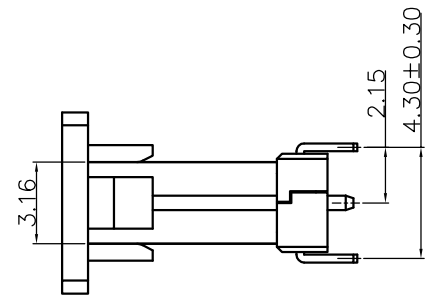
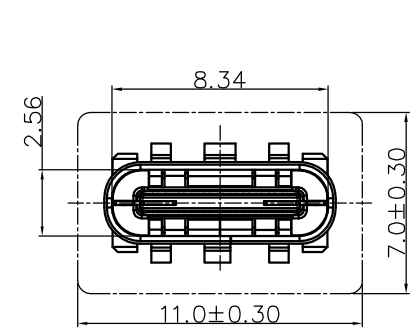
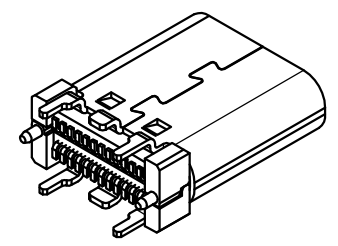
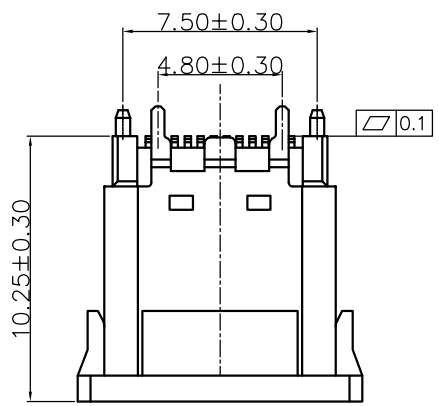


REV.	ECN.NO.	APPD.
A0	/	/



RECOMMENDED P.C.B. LAYOUT (T:1.00mm)
TOLERANCE UNSPECIFIED ±0.05mm
SCALE: 2:1

NOTES:

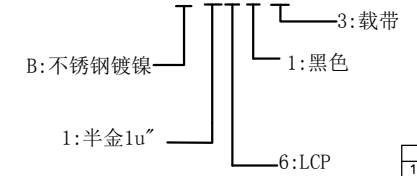
1.MATERIAL:

- 1.1 Housing: thermoplastic plastics
- 1.2 terminals: Copper Alloy
Gold plated in contact area:
Tin plated in termination
Nickel Plated overall
- 1.3 Shell: Steel&Copper Alloy
Nickel/Au Plated overall

2.characteristics:

- 2.1 Rating Voltage : 30V AC.
 - 2.2 Rating Current:
5A for Vbus PIN;1.25A for Vconn PIN
 - 2.3 Contact Resistance: 40 mΩ MAX.
 - 2.4 Insulation Resistance: 100 MΩ MIN.
 - 2.5 Withstanding Voltage: AC 100V
 - 2.6 Mating force: 5~20N MAX
 - 2.7 Extraction force: 8~20N Min
 - 2.8 Life test: 10000Cycles MIN.
 - 2.9 Temperature Range: -30℃~+80℃.
- The product must be compliance ROHS

U574-081B-161038



	A	B
1	GND	12 GND
2	TX1+	11 RX1+
3	TX1-	10 RX1-
4	VBUS	9 VBUS
5	CC1	8 SBU2
6	D+	7 D-
7	D-	6 D+
8	SBU1	5 CC2
9	VBUS	4 VBUS
10	RX2-	3 TX2-
11	RX2+	2 TX2+
12	GND	1 GND

TOLERANCE UNLESS OTHERWISE SPECIFIED	
.XXX ±0.10	.X' ±3'
.XX ±0.20	.XX' ±2'
.X ±0.30	

HLW 深圳市华联威电子科技有限公司
HUA LIAN WEI TECHNOLOGY ELECTRONICS CO;LTD.

APPROVED		PART NAME:	TYPE C 180度立贴式9.3 H款			
CHECKED		PART No:	U574-081B-161038			C
DRAWN	weihong	PROJECTION:	UNIT:	SCALE	SHEET	REV.
DATE	2021. 03. 21		mm	1:1	10F1	A0