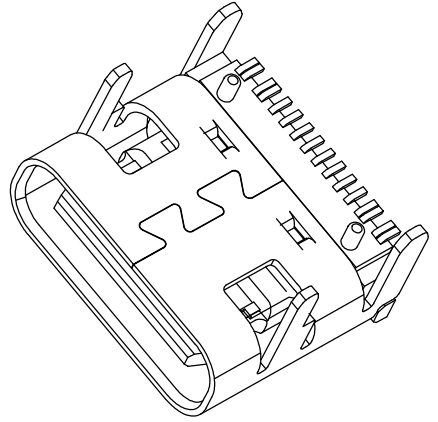
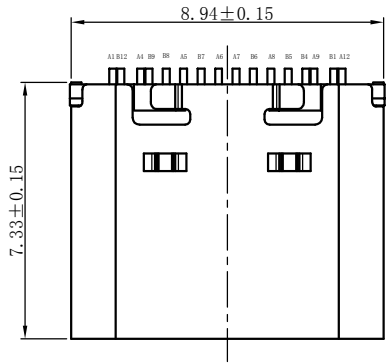
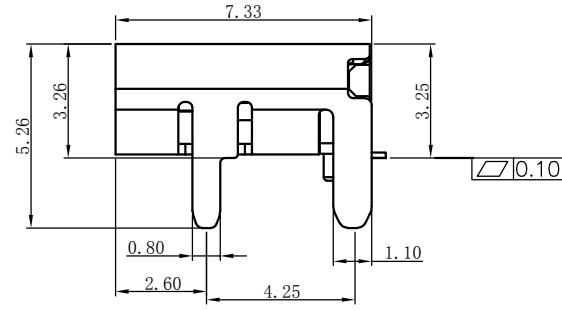
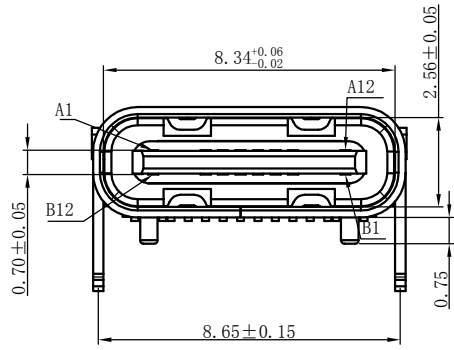


REV.	ECN. NO.	APPD.
A	EXXXXXXXXXX	yangguifeng

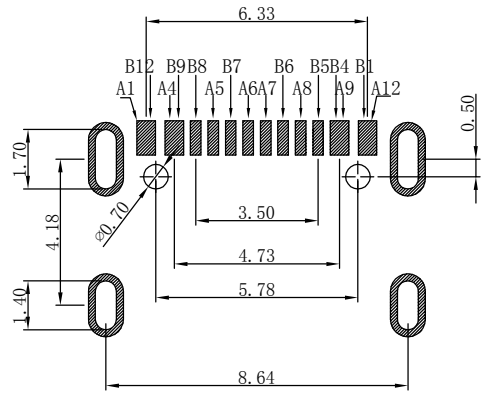
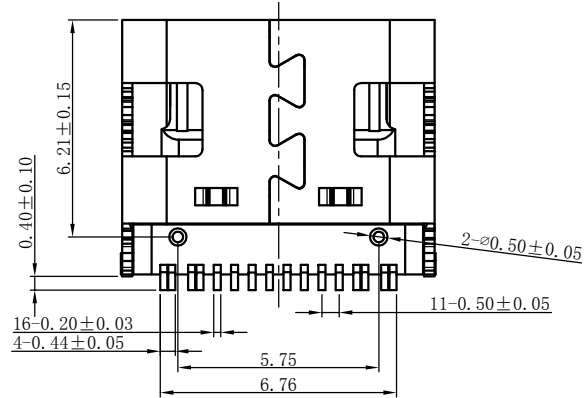


NOTES:  
 1. MATERIAL:  
 1.1 Housing:thermoplastic plastics  
 1.2 terminals:Copper Alloy  
 Gold plated in contact area:  
 Tin plated in termination  
 Nickel Plated overall  
 1.3 Shell:Steel&Copper Alloy  
 Nickel/Au Plated overall  
 2. characteristics:  
 2.1 Rating Voltage : 30V AC.  
 2.2 Rating Current:  
 5A for Vbus PIN;1.25A for Vconn PIN  
 2.3 Contact Resistance:40 mΩ MAX.  
 2.4 Insulation Resistance:100 MΩ MIN.  
 2.5 Withstanding Voltage:AC 100V  
 2.6 Mating force: 5~20N MAX  
 2.7 Extraction force:8~20N Min  
 2.8 Life test:10000Cycles MIN.  
 2.9 Temperature Range: -30℃~+80℃.  
 The product must be compliance ROHS



U572-791B-G61038

B: 不锈钢镀镍  
 G: 半金G/Fu  
 6: LCP  
 3: 载带  
 1: 黑色



TOLERANCE UNLESS OTHERWISE SPECIFIED		<b>HLW</b> 深圳市华联威电子科技有限公司				
.XXX ±0.10		HUA LIAN WEI TECHNOLOGY ELECTRONICS CO;LTD.				
.XX ±0.20		.X° ±3°				
.X ±0.30		.XX° ±2°				
APPROVED		PART NAME:	TYPE C 16P 四脚插SMT脚长2.0			
CHECKED		PART No:	U572-791B-G61038			C
DRAWN	yangguifeng	PROJECTION:	UNIT:	SCALE	SHEET	REV.
DATE	2021.12.01		mm	1:1	1 OF 1	A