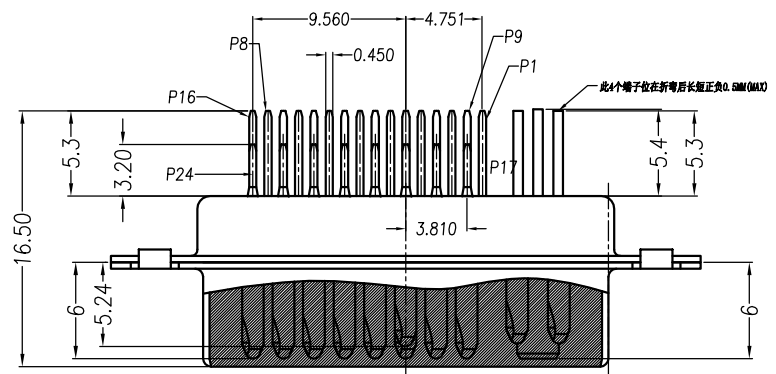
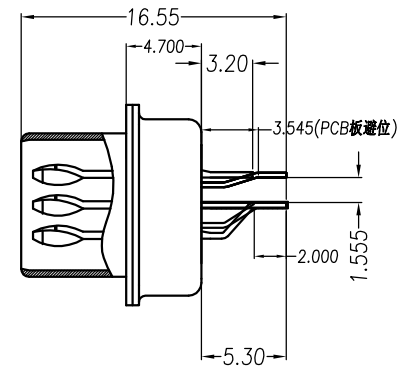
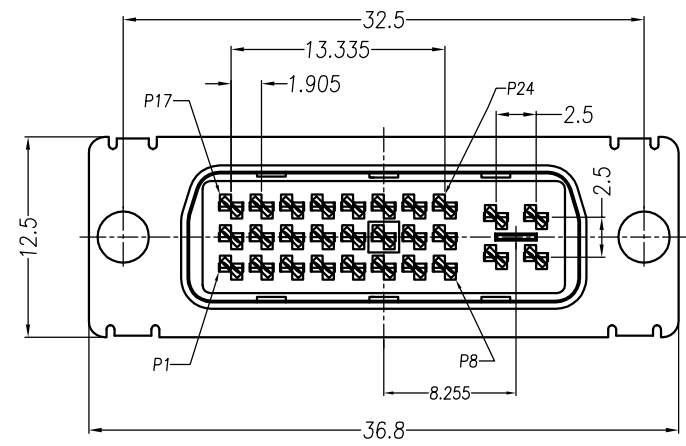


| REV. | ECN.NO. | APPD. |
|------|-------------|-------------|
| A | EXXXXXXXXXX | yangguifeng |



1.SPECIFICATION

- 2.1 Current Rate:5 Amps
- 2.2 Insulator Resistance:1000MΩ Min.
- 2.3 Dielectric Strength:500V AC PER MIN
- 2.4 Operation Temperature:°55C~+105C
- 2.5 Contact Resistance:30mΩ Max



DS334-0204-G217

4:铁壳镀金 ————— 1:黑色

G:半金G/Fu"

2:PBT

| | | | | | | |
|--------------------------------------|-------------|---------------------------|-----------------|---|--------|------|
| TOLERANCE UNLESS OTHERWISE SPECIFIED | | FLW 深圳市华联威电子科技有限公司 | | | | |
| .XXX ±0.10 | | .X' ±3' | | HUA LIAN WEI TECHNOLOGY ELECTRONICS CO;LTD. | | |
| .XX ±0.20 | | .XX' ±2' | | | | |
| .X ±0.30 | | | | | | |
| APPROVED | | PART NAME: | DVI24+5公头铆孔夹板式 | | | |
| CHECKED | | PART No: | DS334-0204-G217 | C | | |
| DRAWN | yangguifeng | PROJECTION: | UNIT: | SCALE | SHEET | REV. |
| DATE | 2021.12.01 | | mm | 1:1 | 1 OF 1 | A |