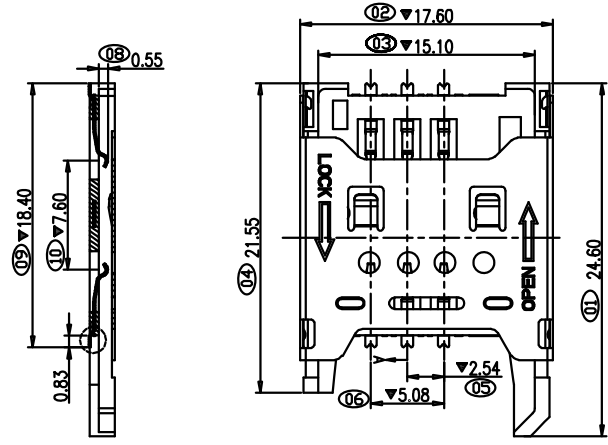
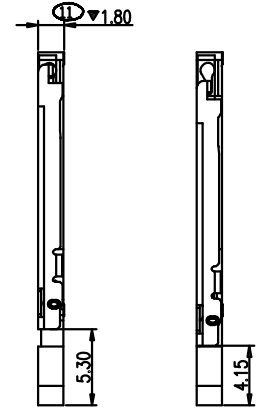


REV.	ECN.NO.	APPD.
A	/	/

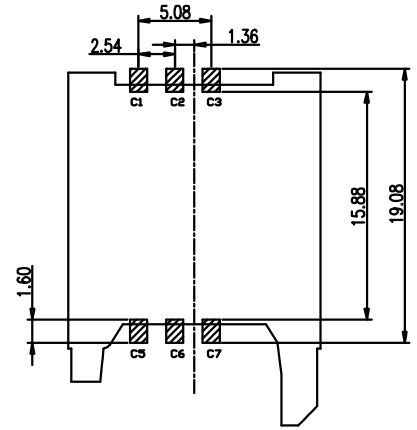
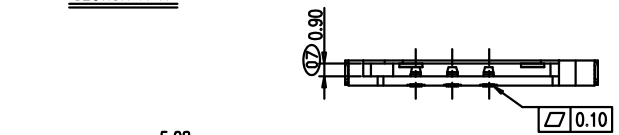
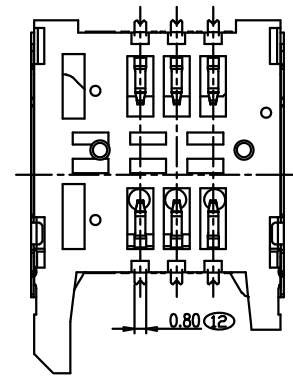


SECTION A-A

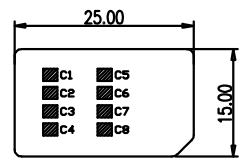


OPEN

LOCK



REFERENCE PC BOARD LAYOUT



SIM CARD

SD5209-035-G618

G. 半金G/FU" 1. 黑色

6. LCP

- *Electrical Characteristics:
Contact Current Rating:0.5 Amperes.
Dielectric Withstanding Voltage:AC500V r.m.s.
Insulation Resistance:1000 MΩ Minimum.
Contact Resistance:100 mΩ Maximum.
- *Environmental:
Operating Temperature:-25°C~+90°C.
- *Environmental:
Mating Cycles:5000~10,000 Insertions.
- *Mechanical Characteristics:
Card Push Insertion/Out Force:1.4kgf. MAX
Contact Separation Force:0.20kgf Minimum.
- *Material:
Insulator:HI-Temp Plastic UL 94V-0 Rated.
Cantact:Copper Alloy(t=0.15mm).
Shell:Stainless Steel(t=0.20mm).
Spring:SWP.

PIN NO.	PIN NAME
C1	Supply Voltage Vcc
C2	Reset (RST)
C3	Clock (CLK)
C5	Ground
C6	Programming Voltage Vpp
C7	I/O

TOLERANCE UNLESS OTHERWISE SPECIFIED		FLW 深圳市华联威电子科技有限公司				
.XXX ±0.10	.X' ±3'	HUA LIAN WEI TECHNOLOGY ELECTRONICS CO;LTD.				
.XX ±0.20	.XX' ±2'	APPROVED	PART NAME:	SIM卡座 6pin翻盖内存卡槽		
.X ±0.30		CHECKED	PART No:	SD5209-035-G618	C	
		DRAWED	PROJECTION:	UNIT:	SCALE:	SHEET:
		DATE	2021.7.23	mm	1:1	10F1
						REV.:
						A