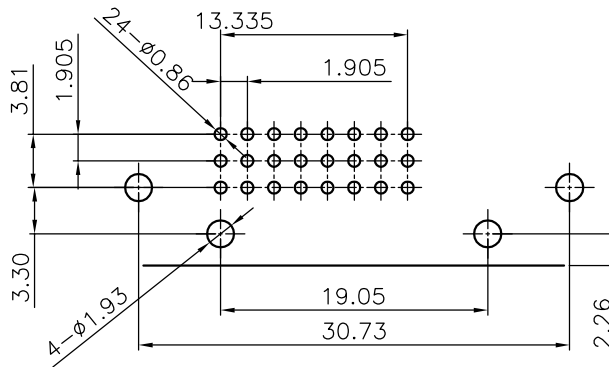
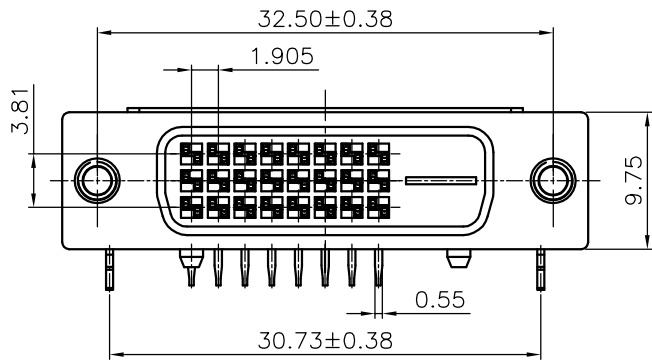


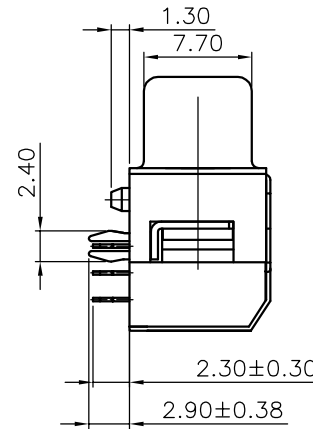
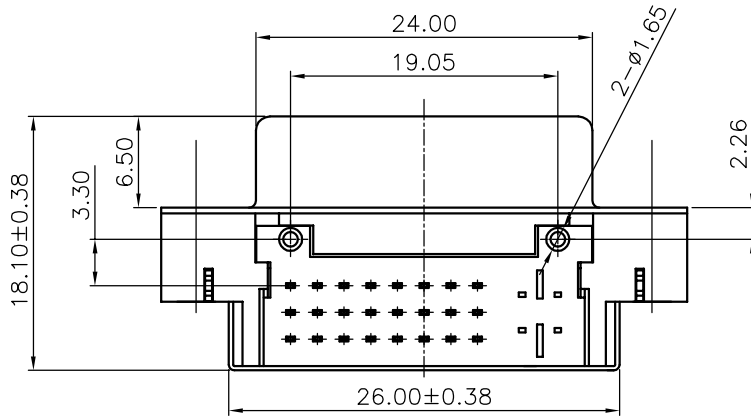
REV.	ECN.NO.	APPD.
A	XXXXXXXXXX	chenyiting



PCB LAYOUT

1. SPECIFICATION

- 2.1 Current Rate: 5 Amps
- 2.2 Insulator Resistance: 1000MΩ Min.
- 2.3 Dielectric Strength: 500V AC PER MIN
- 2.4 Operation Temperature: -55°C ~ +105°C
- 2.5 Contact Resistance: 30mΩ Max



DS413-4036-G22017

- 1: 吸塑盒
- 2: 灰色
- G: 半金G/Fu
- 2: PBT

TOLERANCE UNLESS OTHERWISE SPECIFIED		FLW 深圳市华联威电子科技有限公司				
.XXX ±0.10		HUA LIAN WEI TECHNOLOGY ELECTRONICS CO;LTD.				
.XX ±0.20		.X ±3'				
.X ±0.30		.XX ±2'				
APPROVED		PART NAME:	DVI24+1卧式铆合母座			
CHECKED		PART No:	DS413-4036-G22017	C		
DRAWN	chenyiting	PROJECTION:	UNIT:	SCALE	SHEET	REV.
DATE	2023.03.20		mm	1:1	1 OF 1	A