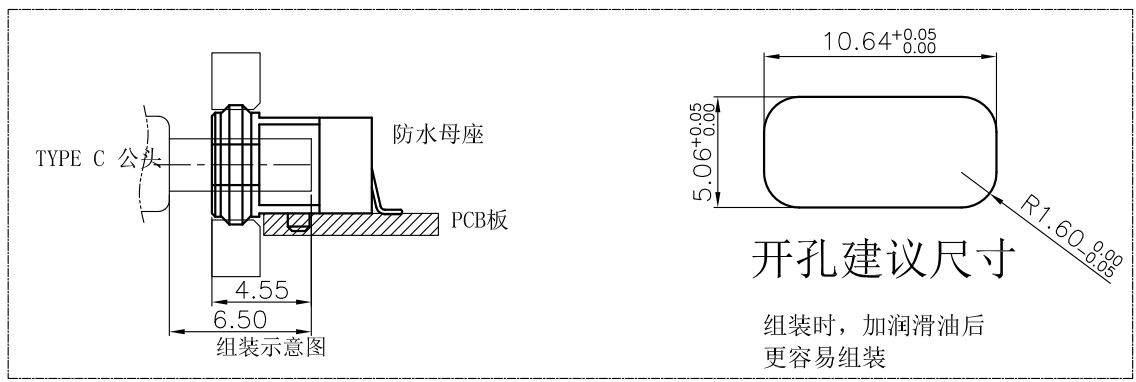
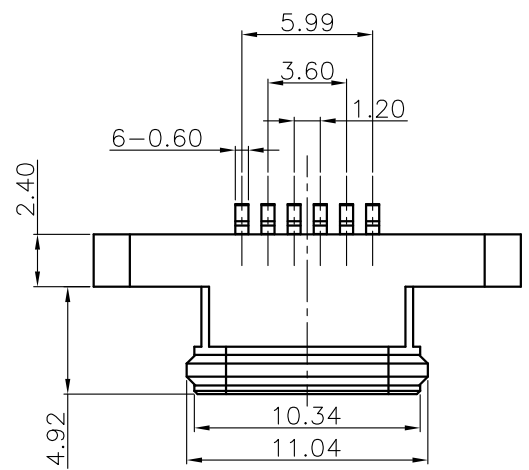


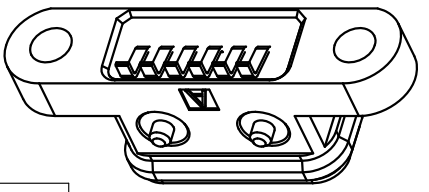
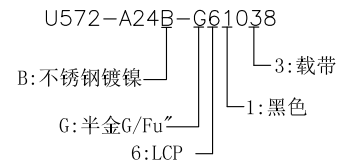
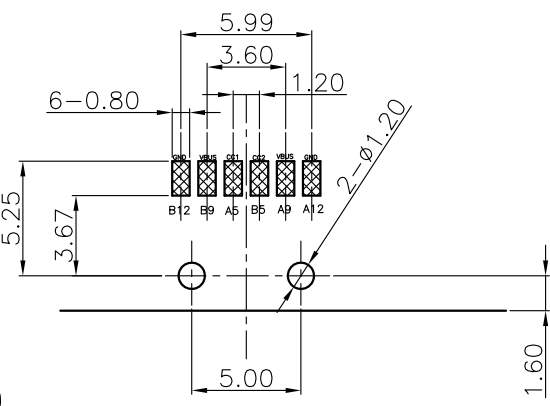
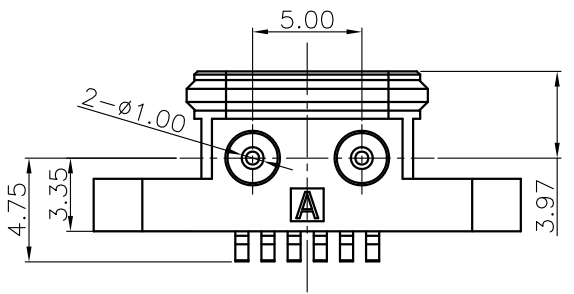
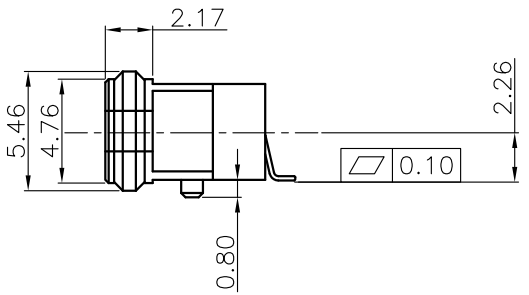
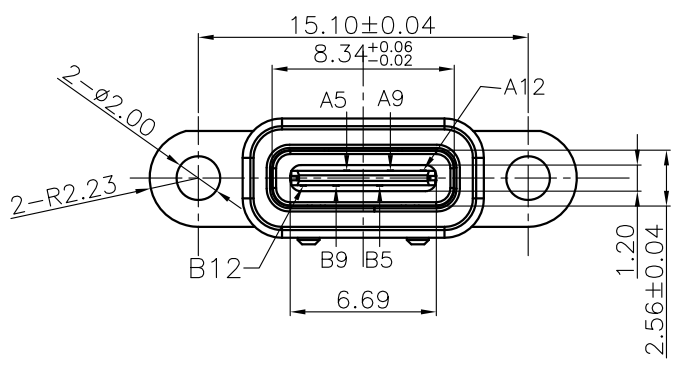
REV.	ECN.NO.	APPD.
A	XXXXXXXXXX	yangguifeng



开孔建议尺寸

组装时, 加润滑油后
更容易组装

- NOTES:
- MATERIAL:
 - Housing:thermoplastic plastics
 - terminals:Copper Alloy
Gold plated in contact area:
Tin plated in termination
Nickel Plated overall
 - Shell:Steel&Copper Alloy
Nickel/Au Plated overall
 - characteristics:
 - Rating Voltage : 30V AC.
 - Rating Current:
5A for Vbus PIN;1.25A for Vconn PIN
 - Contact Resistance:40 mΩ MAX.
 - Insulation Resistance:100 MΩ MIN.
 - Withstanding Voltage:AC 100V
 - Mating force: 5~20N MAX
 - Extraction force:8~20N Min
 - Life test:10000Cycles MIN.
 - Temperature Range: -30℃~+80℃.
- The product must be compliance ROHS



Recommended P. C. B. Layout
Unspecified tolerance:±0.05
(Top view)

A5	CC1	B12	GND
A9	VBUS	B9	VBUS
A12	GND	B5	CC2
PIN	SIGNAL NAME	PIN	SIGNAL NAME

TOLERANCE UNLESS OTHERWISE SPECIFIED		FLW 深圳市华联威电子科技有限公司			
.XXX ±0.10 .XX ±0.20 .X ±0.30		HUA LIAN WEI TECHNOLOGY ELECTRONICS CO			
APPROVED		PART NAME:	TYPE C 6P SMT 带耳有柱1.0		
CHECKED		PART No:	U572-A24B-G61038		C
DRAWN	yangguifeng	PROJECTION:	UNIT:	SCALE:	SHEET
DATE	2021.12.01		mm	1:1	1 OF 1
					REV. A

由 Autodesk 教育版产品制作

由 Autodesk 教育版产品制作