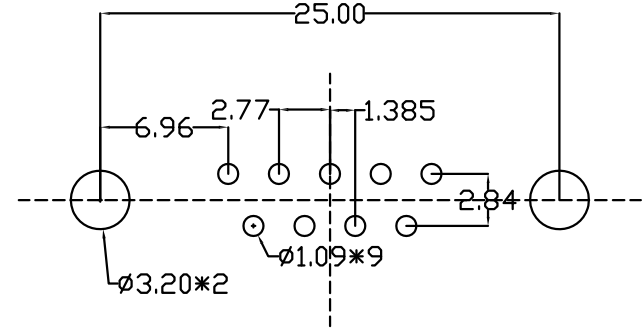
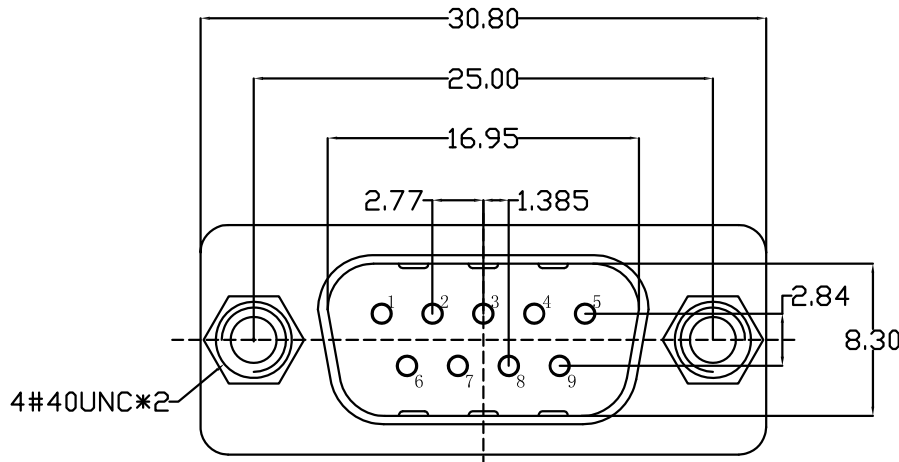
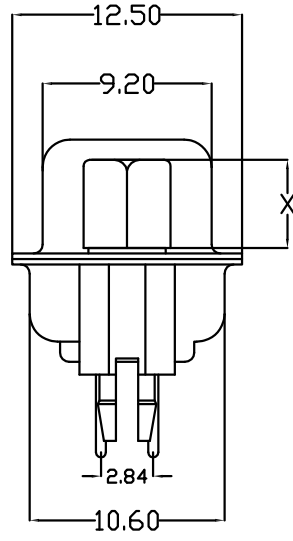
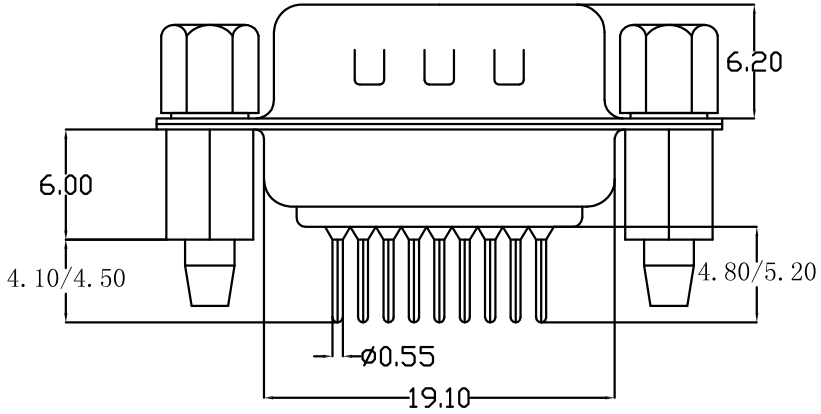


REV.	ECN.NO.	APPD.
A	/	/



P.C.B LAYOUT

- 1.SPECIFICATION
- 2.1 Current Rate:5 Amps
 - 2.2 Insulator Resistance:1000M Min.
 - 2.3 Dielectric Strength:50V AC PER MIN
 - 2.4 Operation Temperature:°55C~+105C
 - 2.5 Contact Resistance:30m Max



DS412-4411-G2H7
 G. 半金G/FU
 H. 蓝色
 2. PBT

螺丝规格

零件编号	X尺寸	内牙
5	4.8	4#40
6	5.8	4#40

TOLERANCE UNLESS OTHERWISE SPECIFIED	
.XXX ±0.10	.X' ±3'
.XX ±0.20	.XX' ±2'
.X ±0.30	

FLW 深圳市华联威电子科技有限公司
 HUA LIAN WEI TECHNOLOGY ELECTRONICS CO;LTD.

APPROVED		PART NAME:	DP9 公铆锁			
CHECKED		PART No:	DS412-4411-G2H7	C		
DRAWN		PROJECTION:	UNIT:	SCALE:	SHEET:	REV.
DATE			mm	1:1	10F1	A