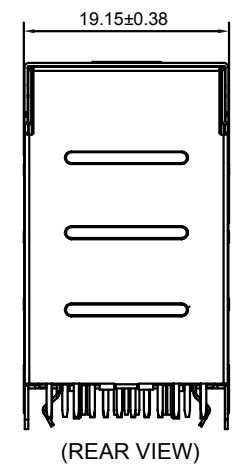
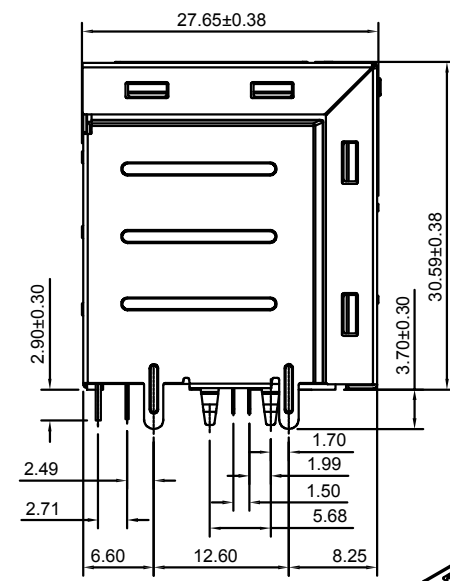
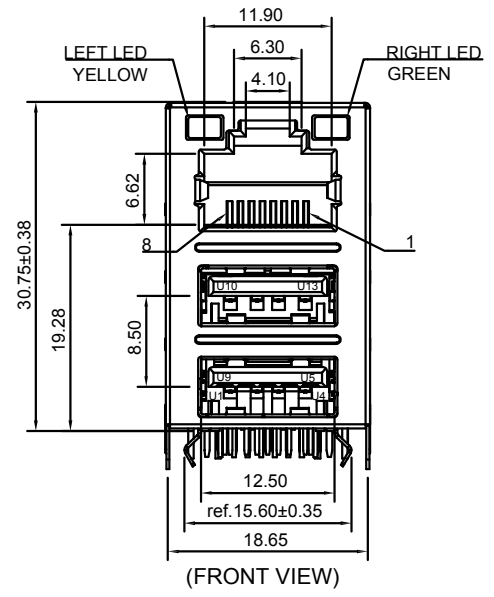
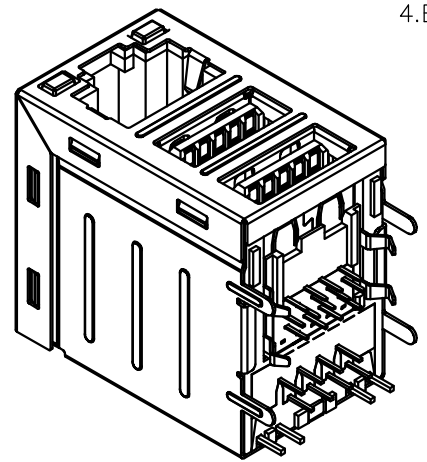
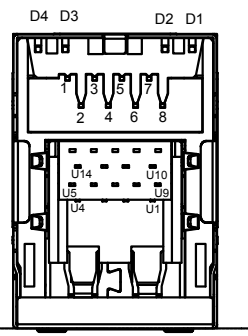
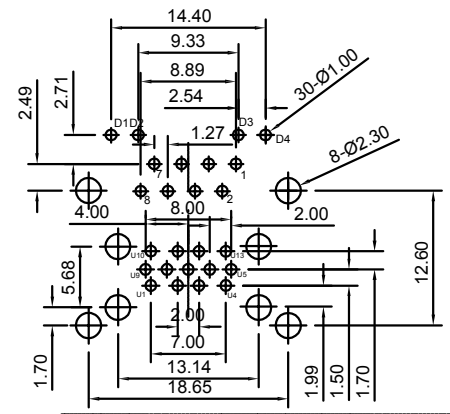


REV.	ECN.NO.	APPD.



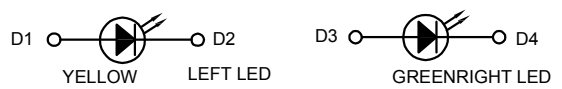
- NOTES:
- MATERIAL:
 - Housing: thermoplastic plastics
 - terminals: Copper Alloy
Gold plated in contact area:
OR Gold Plated overall
 - Shell: Steel&Copper Alloy
Nickel/Tin Plated overall
 - ELECTRICAL CHARACTERISTICS:
 - Rating Current :1.5 Ampere
 - Rating Voltage :125 V Max
 - Contact Resistance:50 Milli ohms
 - Insulation Resistance:500 Mega ohms Min.
 - MECHANICAL CHARACTERISTICS:
 - Connector Mating force: 2.27kgf MAX
 - Durability:750Cycles.
 - ENVIRONMENT CHARACTERISTICS:
 - Operating temperature: -40℃ to +85℃
 - Storage temperature: -10℃ to +40℃



R570-32460-161018

1:半金1u"
6:LCP
1:吸塑盒
1:黑色

RECOMMENDED P.C.B. PATTERN LAYOUT
TOP VIEW (ALL TOLERANCE ARE:0.05mm)



TOLERANCE UNLESS OTHERWISE SPECIFIED		FLW 深圳市华联威电子科技有限公司				
.XXX ±0.30 .XX ±0.20 .X ±0.10		.X' ±5' .XX' ±2'		HUA LIAN WEI TECHNOLOGY ELECTRONICS CO;LTD.		
APPROVED		PART NAME:	RJ45+上USB2.0+下USB3.0带灯无弹			
CHECKED		PART No:	R570-32460-161018			C
DRAWN	ZhouDachao	PROJECTION:	UNIT:	SCALE	SHEET	REV.
DATE	2018.06.19		mm	1:1	10F1	C