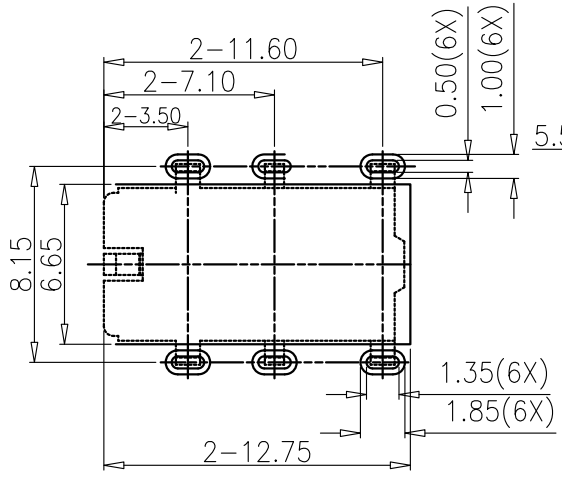
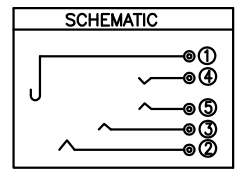
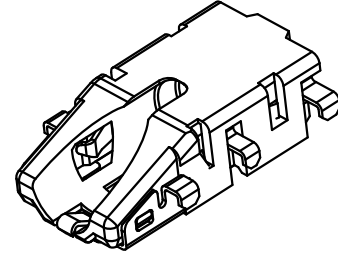
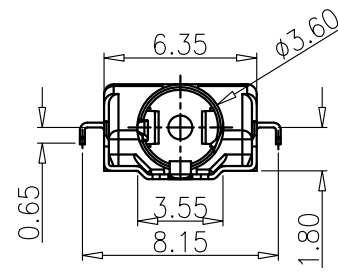
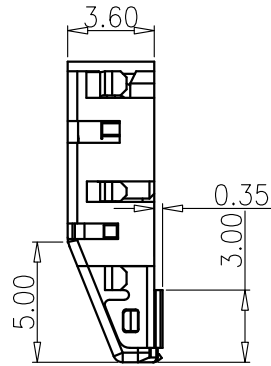
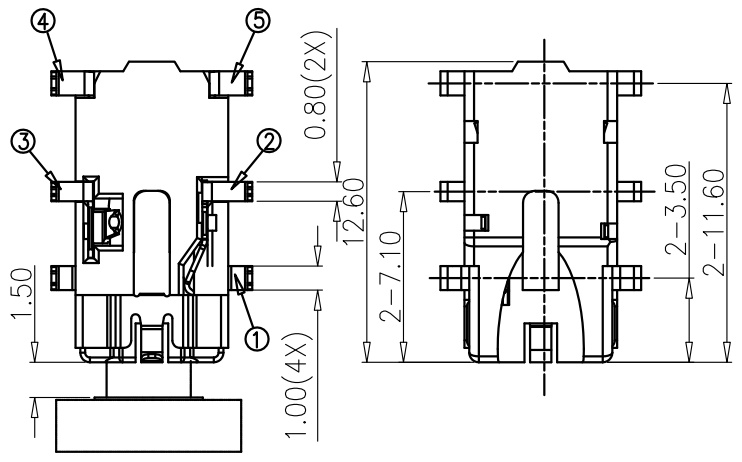
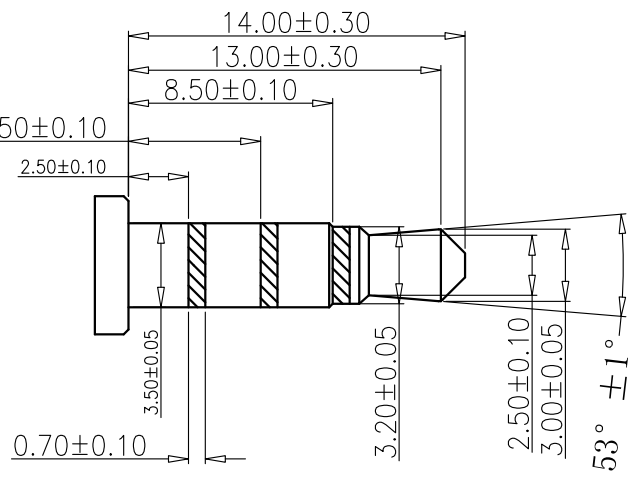


REV.	ECN.NO.	APPD.
A	/	ZFY



**TOLERANCE :±0.05
RECOMMEND PCB LAYOUT**



PLUG SPEC

1. CURRENT RATING : 1.0 AMP. MAX.
2. DIELECTRIC WITHSTANDING : AC 500V/min R.M.S.
3. INSULATION RESISTANCE : 100MΩ min. AT 100V DC.
4. CONTACT RESISTANCE : 50mΩ MAX.
5. OPERATING TEMPERATURE : -25° C TO +85° C.
6. DURABILITY : 1500 CYCLES.
7. MATING FORCE : 3kgs MAX
8. UNMATING FORCE : 0.3~3.0kgs
9. MAX PROCESSING TEMPERATURE : 60 SECONDS IN 230° C AND 10 SECONDS IN 260° C

JK1-165-G318
G: 镀半金G/Fu
1: 黑色
3: PPA

TOLERANCE UNLESS OTHERWISE SPECIFIED		PLW 深圳市华联威电子科技有限公司			
.XXX ±0.15 .XX ±0.20 .X ±0.30		HUA LIAN WEI TECHNOLOGY ELECTRONICS CO;LTD.			
.X' ±5° .XX' ±2°		PART NAME:		φ3.5mm PHONE JACK 6PIN 正向沉板1.8	
APPROVED		PART No:		JK1-165-G318	
CHECKED		PROJECTION:		UNIT:	C
DRAWN	ZhangFenYan	UNIT:	SCALE:	SHEET:	REV.
DATE	2018.10.10	mm	1:1	10F1	A